

SlimWall 35

Façades



Reynaers
Aluminium

Windows.
Doors.
Façades.

Together for better

www.reynaers.com

Beauty in simplicity

When designing contemporary buildings, how do you create an inviting building envelope that is both functional and minimalistic? Our development team took on the challenge and came with an elegant solution: the SlimWall 35 stick façade.

The latest innovation in the range of Reynaers Aluminium curtain walls helps you create wide-open views and a comfortable indoor climate. Its ultraslim, Passive House certified design offers a sustainable answer to all your building needs.

SlimWall 35 features sturdy yet minimalistic profiles that allow for vast glass surfaces. Inside, you experience openness and comfort in an abundance of natural daylight. On the outside, you are greeted by an elegant façade that connects seamlessly with other (opening) elements. This combination makes SlimWall 35 an ideal match for spacious high-end homes or airy public buildings, such as restaurants or shops.



Minimalistic design and creative freedom.

To provide unlimited creative freedom, a lot of thought went into SlimWall 35's versatile design. Its slender 35 mm profiles match perfectly with our premium HiFinity sliding doors and our Paralline cladding solutions. Even so, you can combine SlimWall 35 with other Reynaers Aluminium systems as well – such as curtain walls, windows and door solutions – to create one-of-a-kind contemporary building envelopes.



Embedded sustainability.

SlimWall 35 has been created with future generations in mind. Our engineers have optimised the system's production process to limit waste as much as possible. For instance, we use the same insulator for all glass thicknesses, and the elements feature identical gaskets both vertically and horizontally. Moreover, installed with optional triple glazing, the elegant stick façade offers Passive House Certified thermal insulation. As you can see, SlimWall 35 always is a responsible choice.



Safe and secure solution.



Based on decades of expertise, SlimWall 35 not only looks great, but it is safe and secure as well. Enjoy optional burglarproof (RC2) robustness thanks to elevated elements with high-insulation glass panels. Safety and comfort come together in one neat façade solution that offers you protection without exception.

SlimWall 35 General

Dimensions

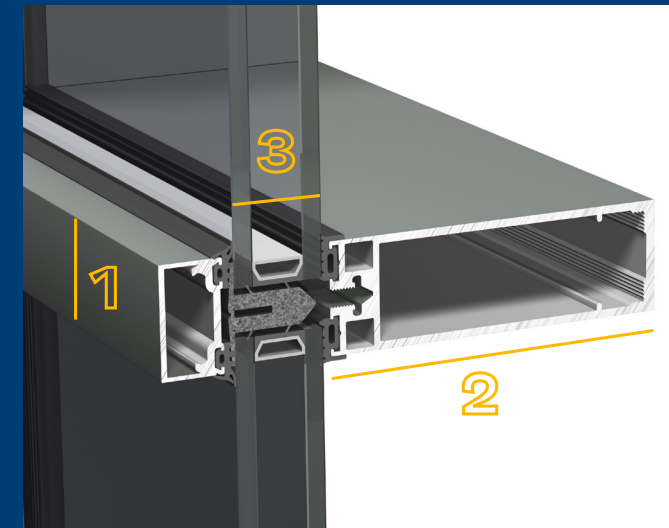
For maximum width and height combination, always check the catalogue.

Maximum weights (kg)

	
Outward Opening	Fixed
180	450

Visible dimensions (mm)

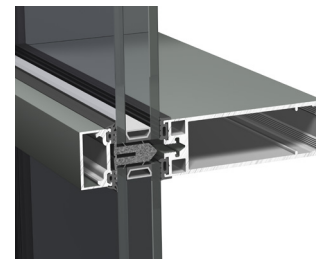
1 Visible width	35
2 Depth mullion	Variable
3 Glass thickness	24 - 57



SlimWall 35 Variants

Mullion Transom

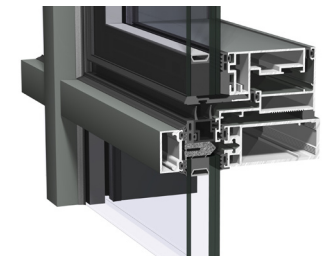
Thermal value - Uw (W/m²K)	Down to 0.80
Water tightness	RE1200 (1200 Pa)
Wind load resistance	2000 Pa
Burglarproof	RC2



**Performances and properties depend on size, profile combinations, hardware and infill

CW Opening Elements

Thermal value - Uw (W/m²K)	Down to 0.80
Water tightness	RE1500 (1500 Pa)*
Wind load resistance	2000 Pa
Burglarproof	RC2



*The performance of a façade is equal to the lowest performance of any of its components.

Reynaers Aluminium Opening Elements

Combine SlimWall 35 with	MasterLine 8 Windows & Doors, SlimLine 38 Windows & Doors, CW Opening Elements ...
Technical specifications	Check relevant product info on the website or in the specific product leaflet.

SlimWall 35 can be combined with CW Opening Elements, our façade specific solution that is compatible with all of our façade systems.

More info about our products can be found on our website.



SlimWall 35 Options



Cover caps

Choose the look that fits your project with clip-on aluminium cover caps. HiFinity and Paralline cover caps are compatible with SlimWall 35. The result: elegant and uniform façades that speak to the imagination.



Solar shading

This façade solution is compatible with solar shading mounted directly onto the building envelope. Create passive cooling mechanisms to improve indoor temperatures all year long.



Concealed drainage

SlimWall 35s drainage system is fully integrated and neatly hidden from sight. As a result, you always enjoy clean lines, minimalistic design, and excellent performance as the water flows away instantly.



Sustainability

SlimWall 35 offers an elegant, slender façade solution for modern buildings that are ready for the future. The elements feature less aluminium content, and when you combine the stick façade with triple glazing, you can easily reach Passive House levels of thermal insulation. When considering performance, comfort and looks, it is hard to beat SlimWall 35.



Efficient design

At Reynaers Aluminium, we try to make our partners' lives easier by offering efficient high-quality solutions. SlimWall 35 is an easy-to-install stick façade that can carry elements of up to 450 kilograms. Its dedicated tooling and glass supports always result in a neat and professional finish, even at challenging building sites. No need for screws, as the patented glass supports slide into the element, offering a fast and dummy-proof solution.

Get in touch

Interested or looking for more in-depth technical information? Contact your Reynaers Aluminium representative for more information or scan the QR code to visit our website.

