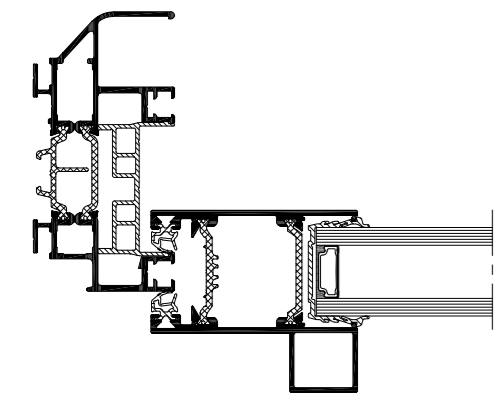


CP 68 SLIDING CORNER DOORS

CP 68 GETEKEND
 CP 68 DESSINE
 CP 68 DRAWN
 CP 68 GEZEICHENET



OVERZICHT OPENINGS TYPES
 APERÇU TYPES D'OUVERTURE
 OVERVIEW OPENING TYPES
 ÜBERSICHT ÖFFNUNGSARTEN

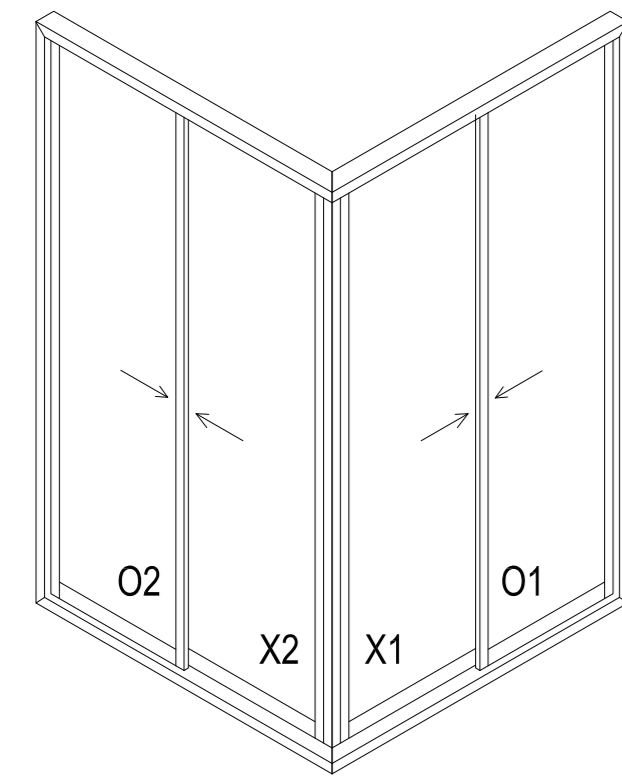
X: PRIMAIRE VLEUGEL
 Q: VASTE VLEUGEL
 O: SECONDAIRE VLEUGEL
 V: HOEKOPLOSSING

X: OUVRANT PRIMAIRE
 Q: OUVRANT FIXE
 O: OUVRANT SECONDAIRE
 V: SOLUTION ANGULAIRE

X: PRIMARY SLIDING VENT
 Q: FIXED VENT
 O: SECONDARY SLIDING VENT
 V: CORNER SOLUTION

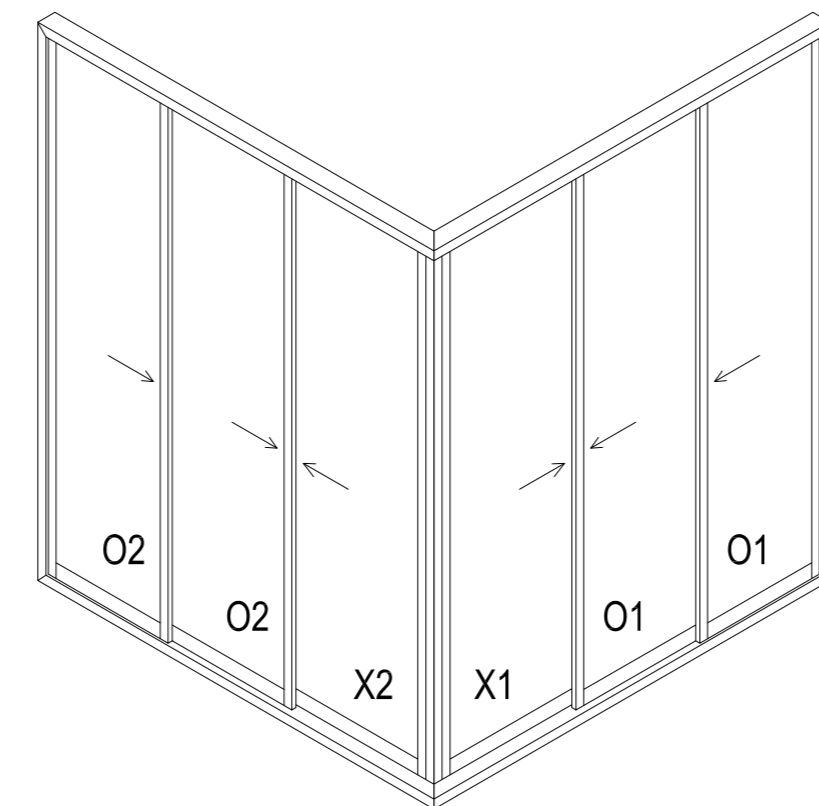
X: GANGFLUEGEL
 Q: FENSTER FLUEGEL
 O: STANDFLUEGEL
 V: ECKLÖSUNG

BIRAIL
 BIRAIL
 BIRAIL
 BIRAIL



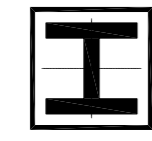
201

TRIRAIL
 TRIRAIL
 TRIRAIL
 TRIRAIL



202

PROFIEOVERZICHT
 APERÇU DES PROFILES
 PROFILE OVERVIEW
 PROFILUEBERSICHT

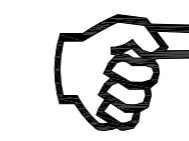


HULPPROFIELEN
 PROFILES COMPLEMENTAIRES
 ADDITIONAL PROFILES
 ZUSATZPROFILE



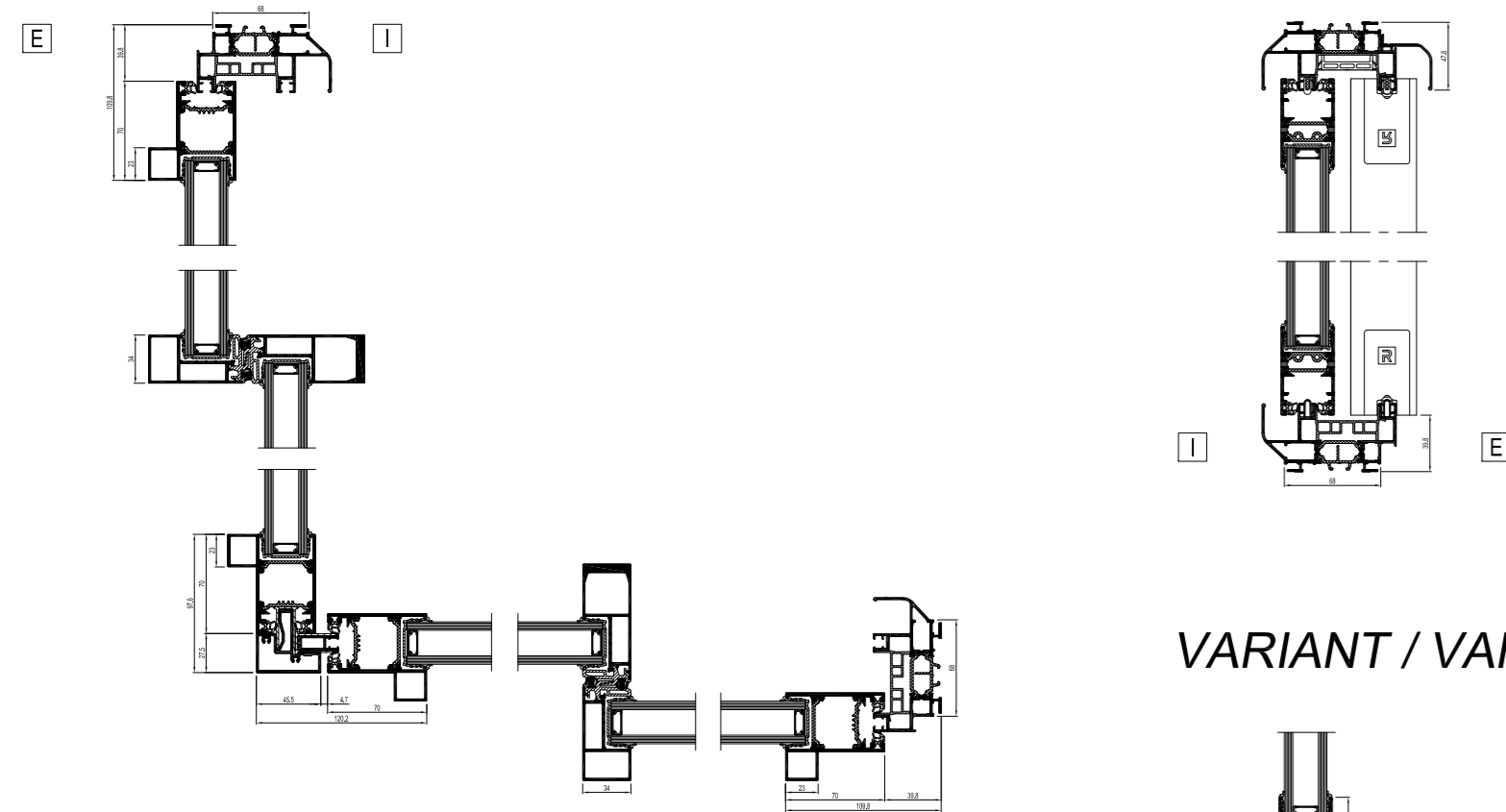
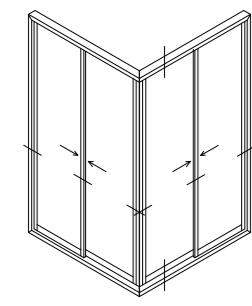
CP 68_Additional profiles.dwg

BOUWAANSLUITINGEN
 RACCORDEMENTS AU BATIMENT
 BUILDING CONNECTIONS
 BAUANSCHLUESSE



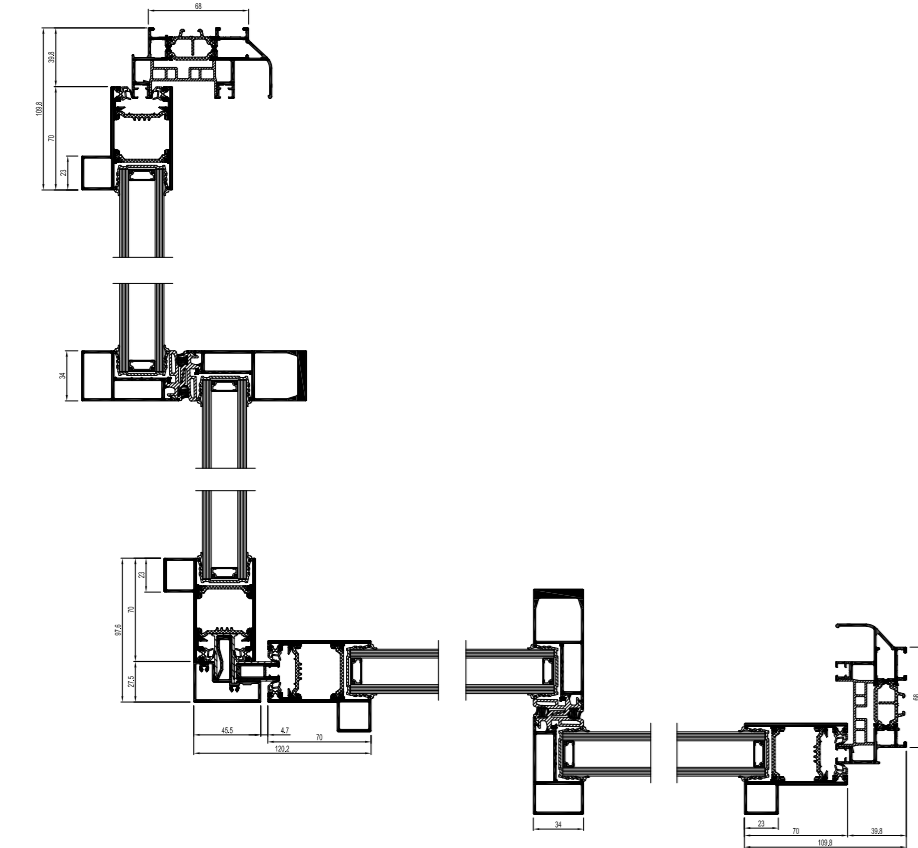
CP 68_Building Connection.dwg

201

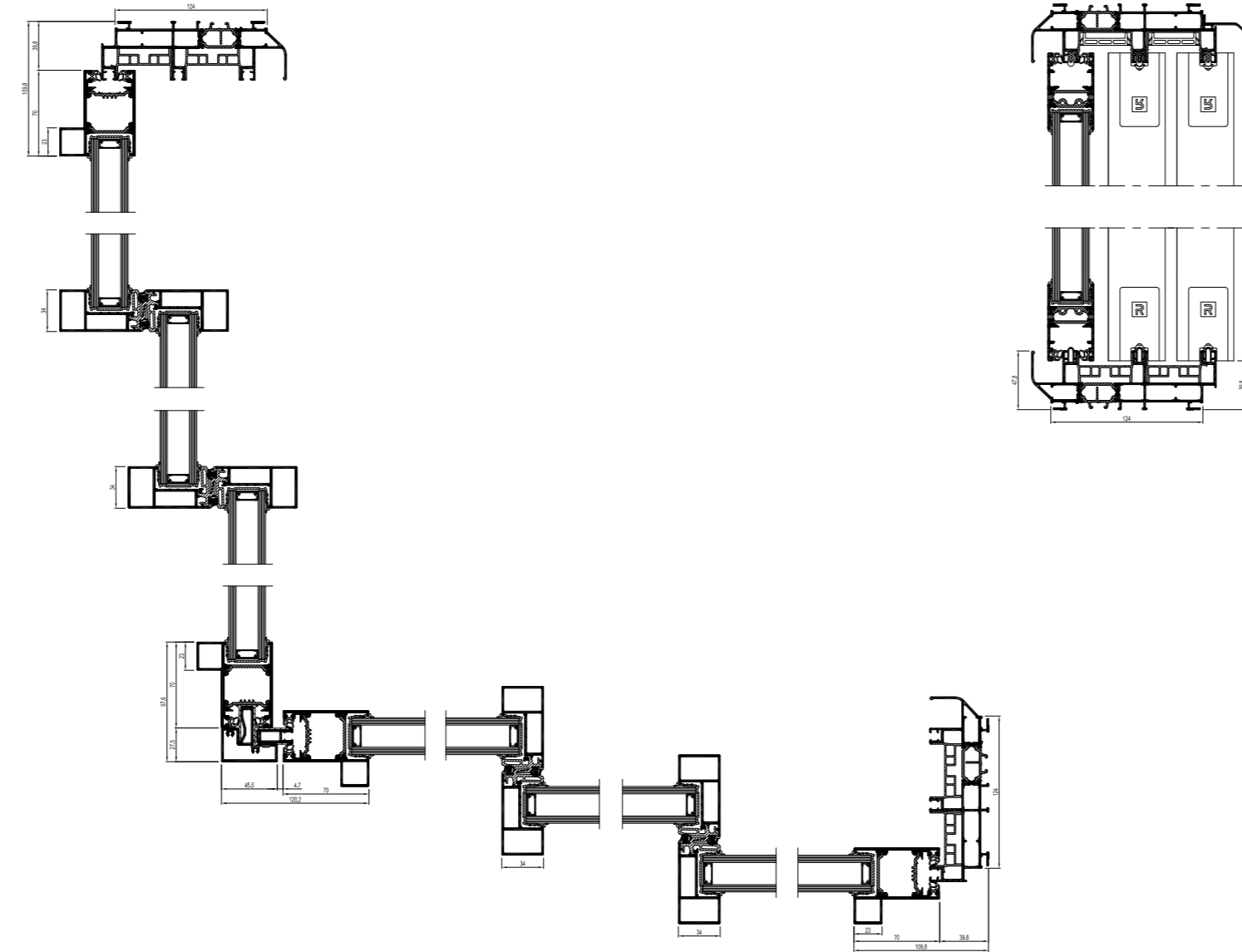
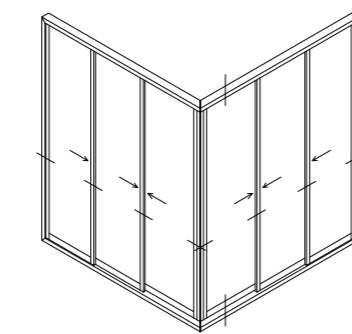


VARIANT / VARIANTE

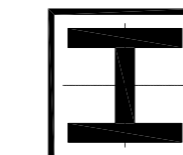
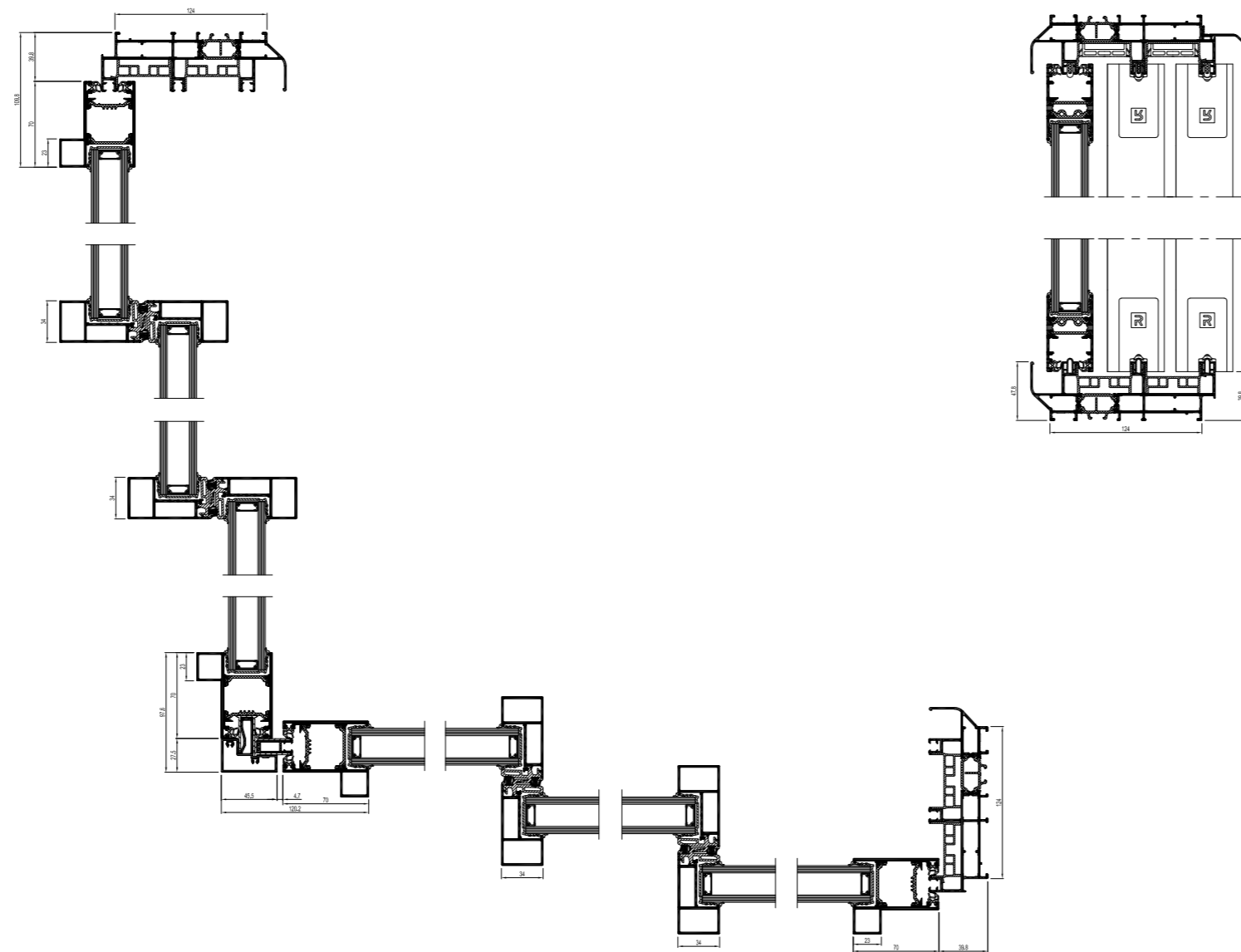
VARIANT / VARIANTE



202

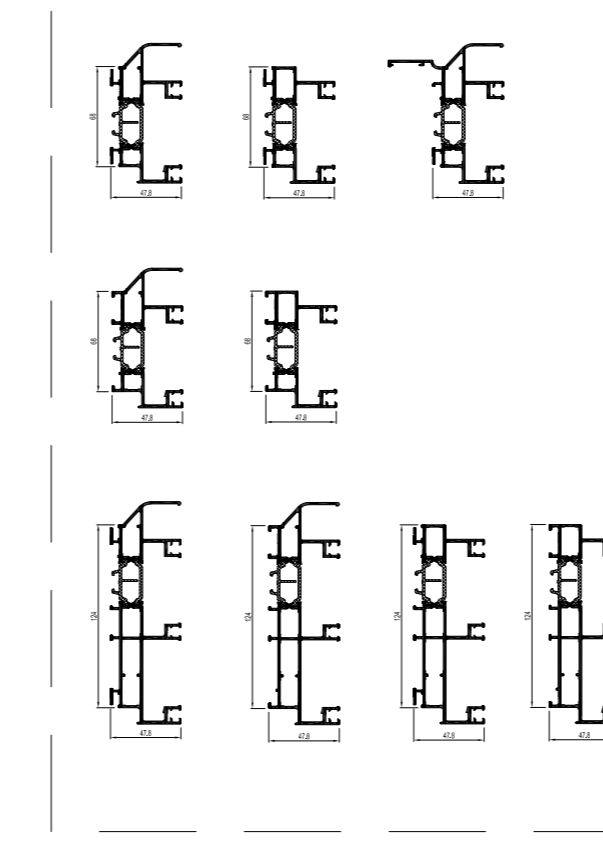


VARIANT / VARIANTE



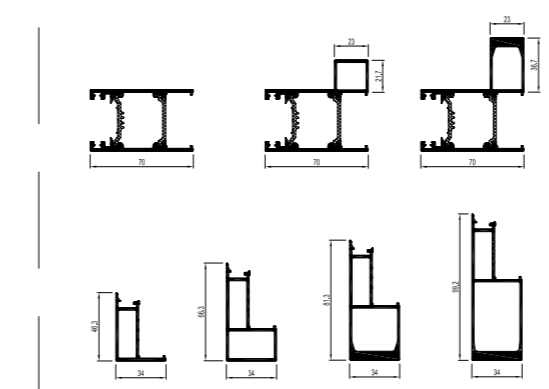
PROFIEOVERZICHT
 APERÇU DES PROFILES
 PROFILE OVERVIEW
 PROFILUEBERSICHT

BIJENKADER
 DORMANT
 OUTER FRAME
 BLENDRAHMEN

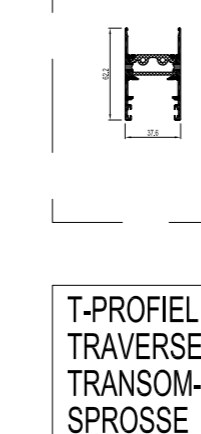


VLEUGEL FUNCTIONAL
 OUVRANT FONCTIONNEL
 VENT FUNCTIONAL
 FLEUGEL FUNCTIONAL

Vitrage/Glazing 24, 26, 28, 30 mm

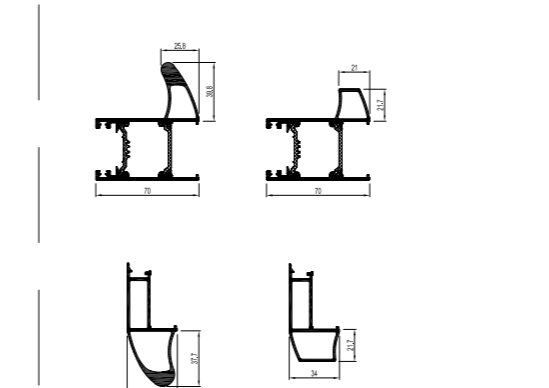


T-PROFIEL
 TRAVERSE
 TRANSM
 SPROSSE

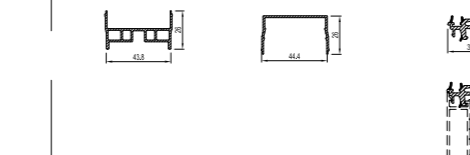


VLEUGEL SOFTLINE
 OUVRANT SOFTLINE
 VENT SOFTLINE
 FLEUGEL SOFTLINE

Vitrage/Glazing 24, 26, 28, 30 mm



THERMISCHE ONDERBREKING
 BOUCLIER THERMIQUE
 THERMAL BREAK
 THERMISCHE UNTERBRECHUNG



COMPLEMENTARY VENT PROFILE
 PROFIL COMPLEMENTAIRE OUVRANT
 COMPLEMENTARY VENT PROFILE
 COMPLEMENTARY VENT PROFILE

