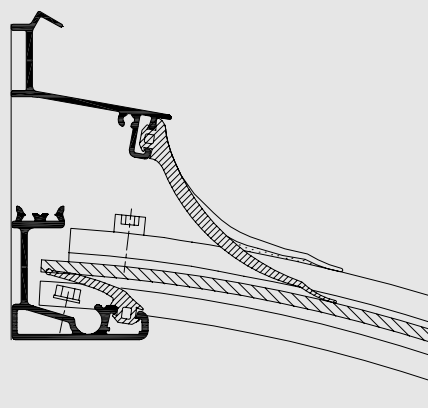
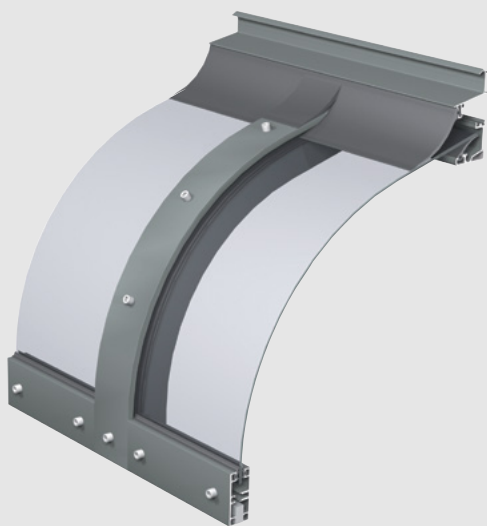




# Cintro

Peripheral Systems



The profiles within the Cintro range have been developed as an architectural solution for bending profiles.

The possibilities for application are numerous and may even include light roofs. The system is able to incorporate a variety of glazing styles including plate glass and is the ideal system for applications where abundant daylight is required.



## TECHNICAL CHARACTERISTICS



Style variants	<b>CINTRO</b>
Inner visible width	60 mm
Outer visible width	60 mm
Height of the covers	8 mm
Height of the bearing profile	8 - 35 mm
Inertia of the bearing profile	$Lx = 0.2$ to $9.8 \text{ cm}^4$
Filling thickness	2 - 32 mm
Glazing method	dry glazing by means of EPDM sealing

REYNAERS ALUMINIUM NV/SA • [www.reynaers.com](http://www.reynaers.com) • [info@reynaers.com](mailto:info@reynaers.com)  
09/2007 - 0H0.70C2.00 - Publisher Responsible at Law: L. Finé, Oude Liersebaan 266, B-2570 Duffel

